

ZARF2575-L-TV

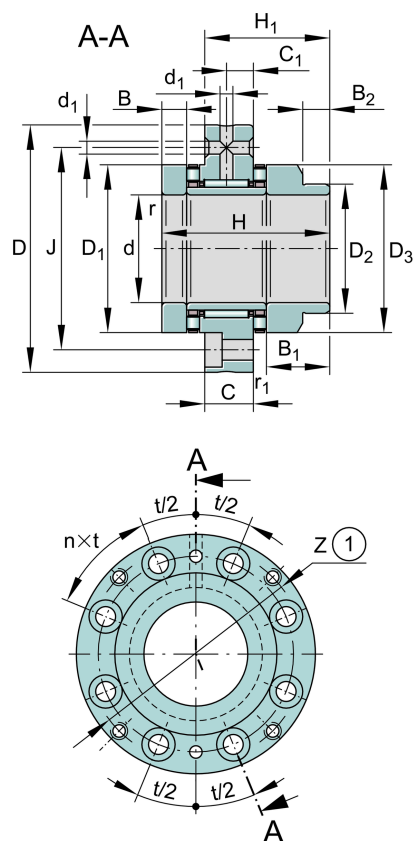
Needle roller/axial cylindrical roller bearing

Schaeffler ID:
0016821640000

Needle roller/axial cylindrical roller bearings ZARF...-L, double direction, for screw mounting, long shaft locating washer

Technical information

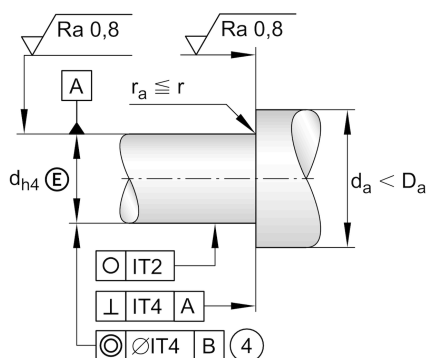
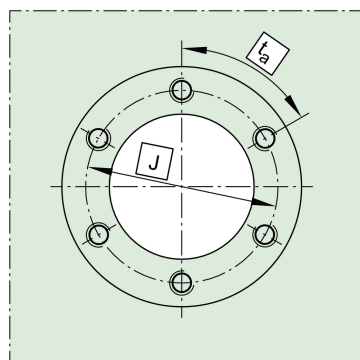
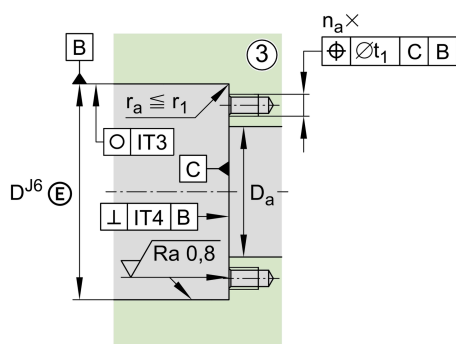
Main Dimensions & Performance Data



d	25 mm	Bore diameter
D	75 mm	Outside diameter
H	65 mm	Height
C_a	35.500 N	Basic dynamic load rating, axial
C_{0a}	86.000 N	Basic static load rating, axial
C_r	22.600 N	Basic dynamic load rating, radial
C_{0r}	36.000 N	Basic static load rating, radial
C_{ua}	7.300 N	Fatigue load limit, axial
C_{ur}	5.200 N	Fatigue load limit, radial
$n_{G\text{ Oil}}$	6.000 1/min	Limiting speed for oil lubrication
$n_{G\text{ Grease}}$	1.900 1/min	Limiting speed for grease lubrication
M_{RL}	0,55 Nm	Bearing friction torque
	0,763 kg	Weight

Mounting dimensions

$D_{a\text{ max}}$	48 mm	Maximum diameter of housing shoulder
$d_{a\text{ min}}$	34 mm	Minimum diameter shaft shoulder



Dimensions

H_1	48 mm	Height outer ring over wave washer
C	18 mm	Width, outer ring
C_1	10 mm	Distance to lubrication hole
D_1	47 mm	Rip diameter shaft washer
D_2	36 mm	Heeldiameter wave washer long
D_3	45 mm	Outside diameter wave washer long
B	10 mm	Width, wave washer
B_1	25 mm	Width wave washer long
B_2	12 mm	Width heel wave washer long
r_{min}	0,3 mm	Minimum chamfer dimension
$r_{1 min}$	0,6 mm	Minimum chamfer dimension 1
d_1	3,2 mm	Diameter lubrication hole
J	58 mm	Pitch circle diameter (holes)
n	8	Number (screwing holes)
$n \times t$	45 °	Split

Temperature range

T_{min}	-30 °C	Operating temperature min.
T_{max}	120 °C	Operating temperature max.

Additional information

c_{aL}	1.900 N/ μ m	Rigidity axial
c_{kL}	350 Nm/mrad	Tilting stiffness
M_m	1,15 kg*cm ²	Mass moment of inertia
	1 μ m	Axial runout
radial	ZMA25/45	Recommended INA precision locknut for radial locking (not included)
axial	AM25	Recommended INA precision locknut for axial locking (not included)
M_A	25 Nm	Tightening torque nut
	9.745 N	Required locknut force
	36X47X7	Rotary shaft seal to DIN 3760 (not included)
	M6	Size fixing screws DIN EN ISO 4762 10.9 (not included)
n_a	8	Number of screws
$na \times ta$	45 °	Division (screwing holes)